

Ref. : BC1100.pas

Rev. : E

Date : 06/09/2016

Page : 1/1

PLUG VALVE FOR PRESSURE GAUGE

BC 1100

ISO 9001
BUREAU VERITAS
Certification



EAC

Tecofi
VALVE DESIGNER - FRANCE



APPLICATION

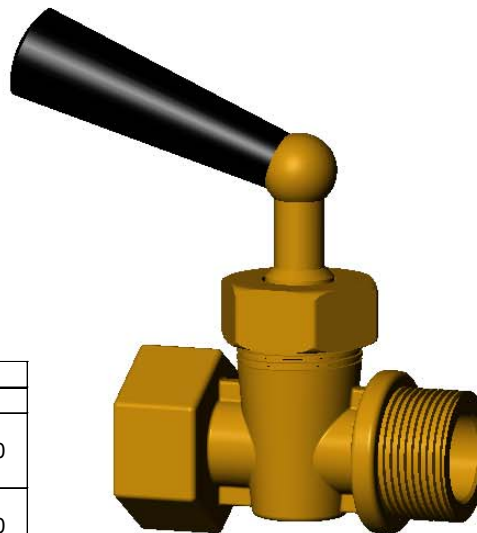
Plug valve for pressure gauge.

GENERAL CHARACTERISTICS

Brass valve and plug.
Operating by lever.
Threaded BSP ends.
With drain to empty the gauge after use.

CONSTRUCTION

5	1	Gasket	Graphite	
4	1	Plate	Brass	
3	1	Plug	Brass CuZn39Pb2	DIN: CuZn39Pb2 ASTM: B124 C37700 BS: 12164 CZ121
2	1	Nut	Brass CuZn39Pb2	DIN: CuZn39Pb2 ASTM: B124 C37700 BS: 12164 CZ121
1	1	Body	Brass CuZn39Pb2	DIN: CuZn39Pb2 ASTM: B124 C37700 BS: 12164 CZ121
Pos.	Qty.	Description	Material	



DIMENSIONS

DN	L	H
1/4"	46	60
3/8"	50	60
1/2"	56	60

WORKING CONDITIONS

Maximum working pressure : 16 bar.
Maximum temperature : + 80°C.

Pressure test according to standards
EN 12266-1, DIN 3230, BS 5154 and ISO 5208 :
Body : 24 bar.
Seat : 17.6 bar.

STANDARDS

BSP threaded according to standard ISO 228-1.

